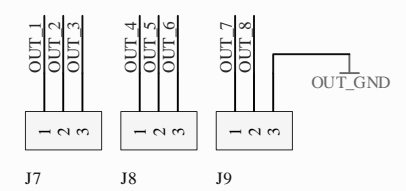
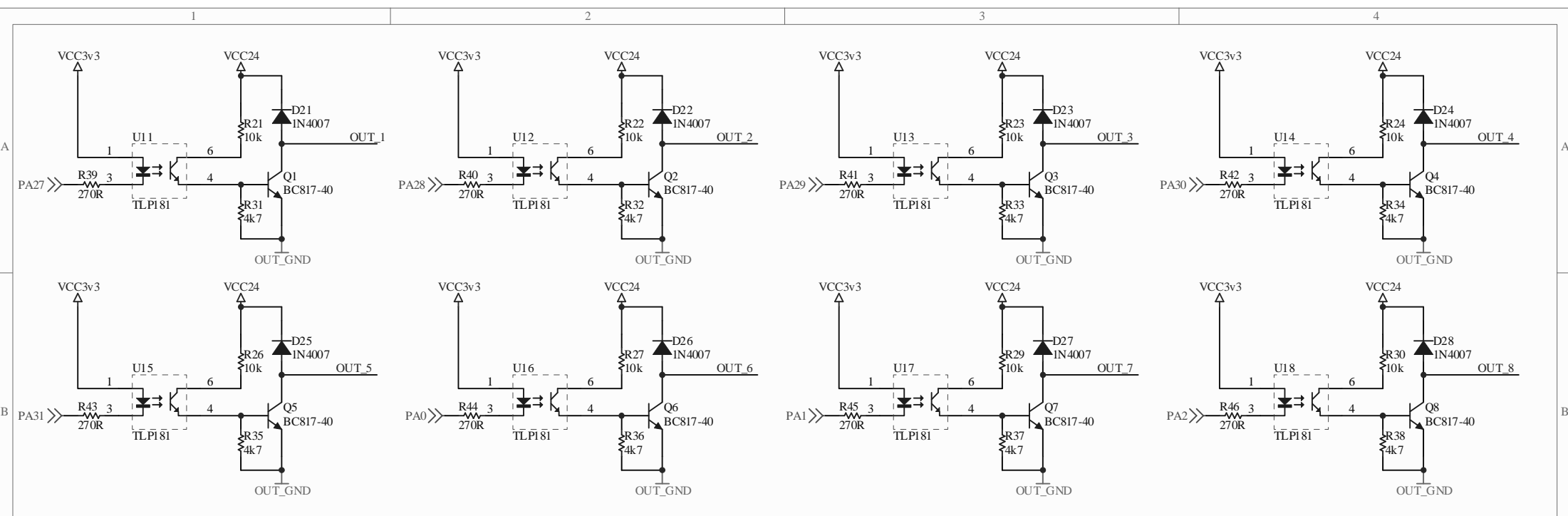


Title		Created in 2007	
OSPLC Small Brick IO BOARD		Released as Open Source: April 2013	
Size	Number	Original project name: Atmel_PLC	Revision
A4		Changed to OSPLCI	1.0
Date:	2013/04/18	Sheet 1 of 2	
File:	D:\circuits\...\IO_board.SchDoc	Drawn By:	W.A. Smith



Title		Created in 2007	
OSPLC Small Brick IO BOARD		Released as Open Source: April 2013	
Size	Number	Original project name: Atmel_PLC	Revision
A4		Changed to OSPLCI	1.0
Date:	2013/04/18	Sheet 2 of 2	
File:	D:\circuits\...\IO_board2.SchDoc	Drawn By: W.A. Smith	